

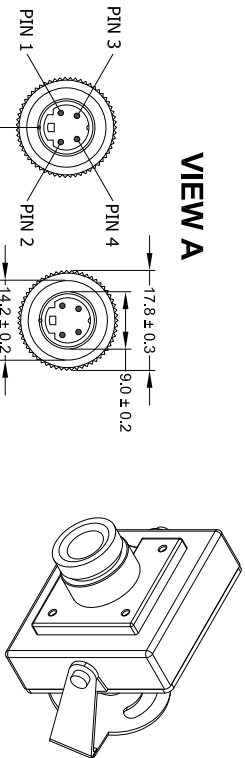
TABLE 1: DMC 10XX SERIES CAMERA KIT OPTIONS

PART NO.	MODEL NO.	BRIEF DESCRIPTION
5163A	DMC-1021	CAMERA ELITE DIGITAL MINI, 3.6MM LENS + BE-L100 CABLE CONNECTOR, NTSC FORMAT
4910A	DMC-1025	CAMERA ELITE DIGITAL MINI, 3.6MM LENS + BE-L100 CABLE CONNECTOR, PAL FORMAT
5303	DMC-1031	CAMERA ELITE DIGITAL, MINI 3.6M + BE-L100 CABLE CONNECTOR, AHD 720P 30FPS
5304	DMC-1035	CAMERA ELITE DIGITAL MINI 3.6MM + BE-L100 CABLE CONNECTOR, AHD 720P 25FPS

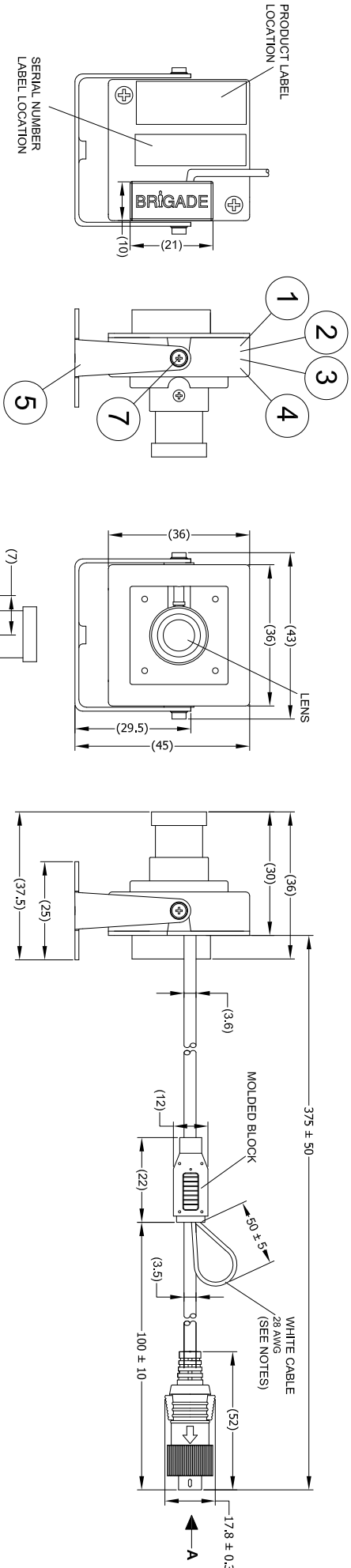
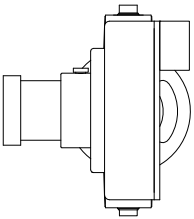
TABLE 2: CAMERA KIT CONTENT

ITEM	①	②	③	④	⑤	⑥	⑦
PART NUMBER	4911A	5173A	5363	5394	4918	5385	5307
MODEL NUMBER	DMC-1025-C	DMC-1021-C	DMC-1035-C	DMC-1031-C	DMC-10XX-BKT	DMC-10XX-G	DMC-10XX-FIX
BRIEF DESCRIPTION	CAMERA ELITE DIGITAL MINI, 3.6MM LENS + BE-L100 CABLE CONNECTOR, PAL FORMAT, CAMERA ONLY	CAMERA ELITE DIGITAL MINI, 3.6MM LENS + BE-L100 CABLE CONNECTOR, NTSC FORMAT, CAMERA ONLY	CAMERA ELITE DIGITAL MINI, 3.6MM + BE-L100 CABLE CONNECTOR, AHD 720P 25FPS, CAMERA ONLY	CAMERA ELITE DIGITAL, MINI 3.6M + BE-L100 CABLE CONNECTOR, AHD 720P 30FPS, CAMERA ONLY	DMC-10XX SERIES CAMERA BRACKET	DMC-10XX SERIES INSTALLATION GUIDE (NOT SHOWN)	DMC-10XX SERIES FIXING PACK
DMC-1025	QTY 1	-	-	-	-	-	-
DMC-1021	QTY -	1	-	-	-	-	-
DMC-1035	QTY -	-	1	-	-	-	-
DMC-1031	QTY -	-	-	1	-	-	1

VIEW A



PIN #	WIRE COLOUR	DESCRIPTION
1	YELLOW	VIDEO
2	RED	+12V
3	BLUE	N/A
4	WHITE	N/A
	SHIELD	GND



- NOTES:
- CUT WHITE CABLE FOR MIRROR IMAGE AND INSULATE EXPOSED WIRE.
 - REFER TO PRODUCT SPECIFICATION FOR PRODUCT DETAILS.
 - REFER TO COMPONENT DRAWINGS FOR COMPONENT DETAILS.
 - CAMERA IS SUPPLIED WITH BRACKET ASSEMBLED.
 - FOR PACKAGING & LABELING DETAIL REFER TO LATEST REVISION OF THE MASTER BOM.

PROPRIETARY NOTICE
 THIS DESIGN AND TECHNICAL INFORMATION APPEARING ON THIS DRAWING IS THE PROPERTY OF BRIGADE ELECTRONICS, AND IS DISCLOSED IN CONFIDENCE. IT IS NOT TO BE COPIED, REPRODUCED, REVEALED TO OR EXPLOITED BY OTHERS, EITHER IN WHOLE OR IN PART WITHOUT THE EXPRESS WRITTEN CONSENT OF BRIGADE ELECTRONICS.

BRIGADE
 www.brigade-electronics.com

Assembly Pl Approval	Approved by	Checked by	Drawn by
	B.CHILDS	RBATES	M.BUTLER
Angle of Projection	Units	Scale	Released
	mm	N/A	06/11/17
Status	Released	DMC-10XX SERIES	Assembly Ref
Part No	SEE TABLE 1	BE-003650-00-17	